

EL[®]MARK

The Brand of Electricity

PROFESSIONAL DRILL EL-D10



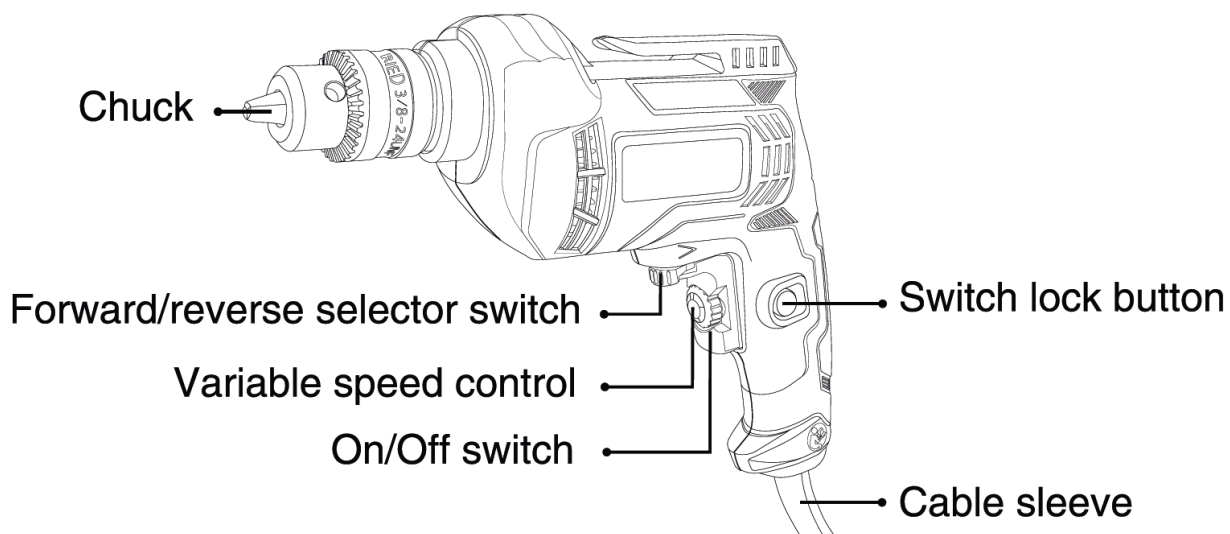
GENERAL INFORMATION »

- ∴ Rated voltage: 220-240V/ 50-60Hz
- ∴ Rated power input: 500W
- ∴ No-load speed: 3300 r/min
- ∴ Chuck size: 10mm
- ∴ Max. drilling in steel: 10mm
- ∴ Max. drilling in wood: 20mm

FEATURES »

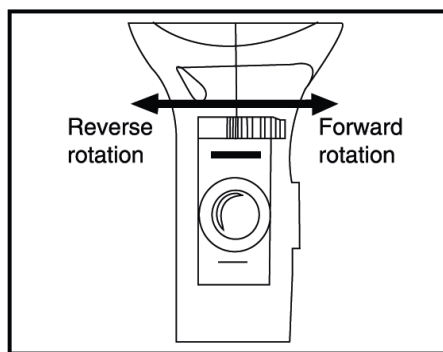
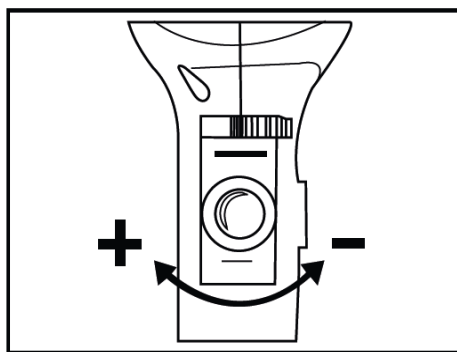
- ∴ 10mm metal chuck: to tighten and hold bits steady
- ∴ Forward and reverse: ability for easy adjustment according to tasks
- ∴ Stable and ergonomic design for optimal working comfort
- ∴ Double insulation design for more security

COMPONENTS LIST »



PRODUCT DETAILS »

| Model | Power (W) | No-load speed (r/min) | Chuck size (mm) | Cable length (m) | Catalogue number |
|--------|-----------|-----------------------|-----------------|------------------|------------------|
| EL-D10 | 500 | 3 300 | 10 | 2 | 59510 |



ADDITIONAL INFORMATION »

| Catalogue number | Barcode | Packing (pcs) / carton |
|------------------|---------------|------------------------|
| 59510 | 3800131229571 | 1 |

